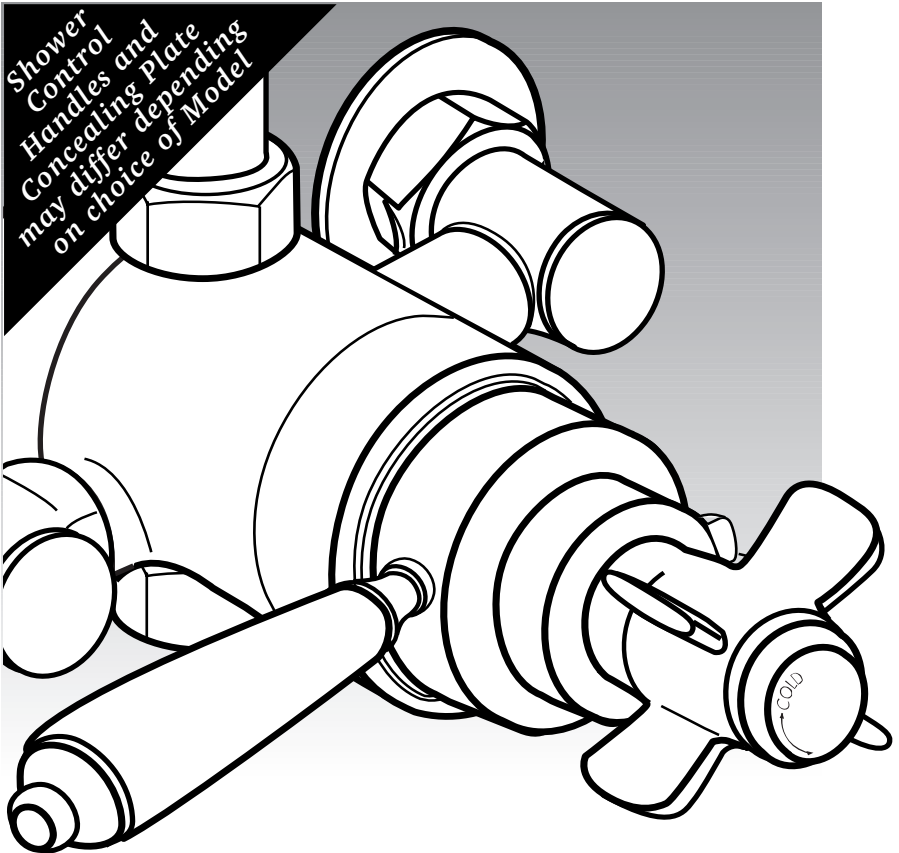


# $\frac{3}{4}$ " DUAL CONTROL THERMOSTATIC SHOWER VALVE



## OWNER'S GUIDE

$\frac{3}{4}$ " ISSUE  
01

*These instructions cover all exposed or concealed versions of the  
 $\frac{3}{4}$ " Dual Control Thermostatic Shower Valve Models*

## INTRODUCTION

This owner's guide shows you how to install, maintain and generally get the most from your  $\frac{3}{4}$ " dual control thermostatic shower valve.

**WE RECOMMEND INSTALLATION BY A QUALIFIED PLUMBER ONLY**

### TECHNICAL DATA

This shower valve is suitable for use on all common types of plumbing systems including gravity, pumped, fully modulating combination boilers and high pressure unvented systems.

Minimum operating pressure 0.1 bar.

Maximum operating pressure 5 bar.

### TEST DATA

These valves have been pressure tested to 15 Bar.

Before proceeding, please note:

1. The valve must be installed in compliance with local water authority byelaws and water supply byelaws.
2. Read all the instruction manual before proceeding.
3. Only begin the installation when you have all the necessary tools ready.
4. Please check that all the components are in the shower valve box.

### DUAL CONTROL THERMOSTATIC SHOWER VALVES

This shower uses a wax thermostatic cartridge to maintain a constant shower temperature. The valve is anti-scald and will automatically shut down if the cold water supply fails. The independent controls allow for separate operation of the spray force and temperature. The safety temperature override button allows showering temperatures to reach a maximum of 38°C. To override this safety stop simply press the red button and turn the temperature control knob. The shower elbows are supplied complete with filters and flow regulators.

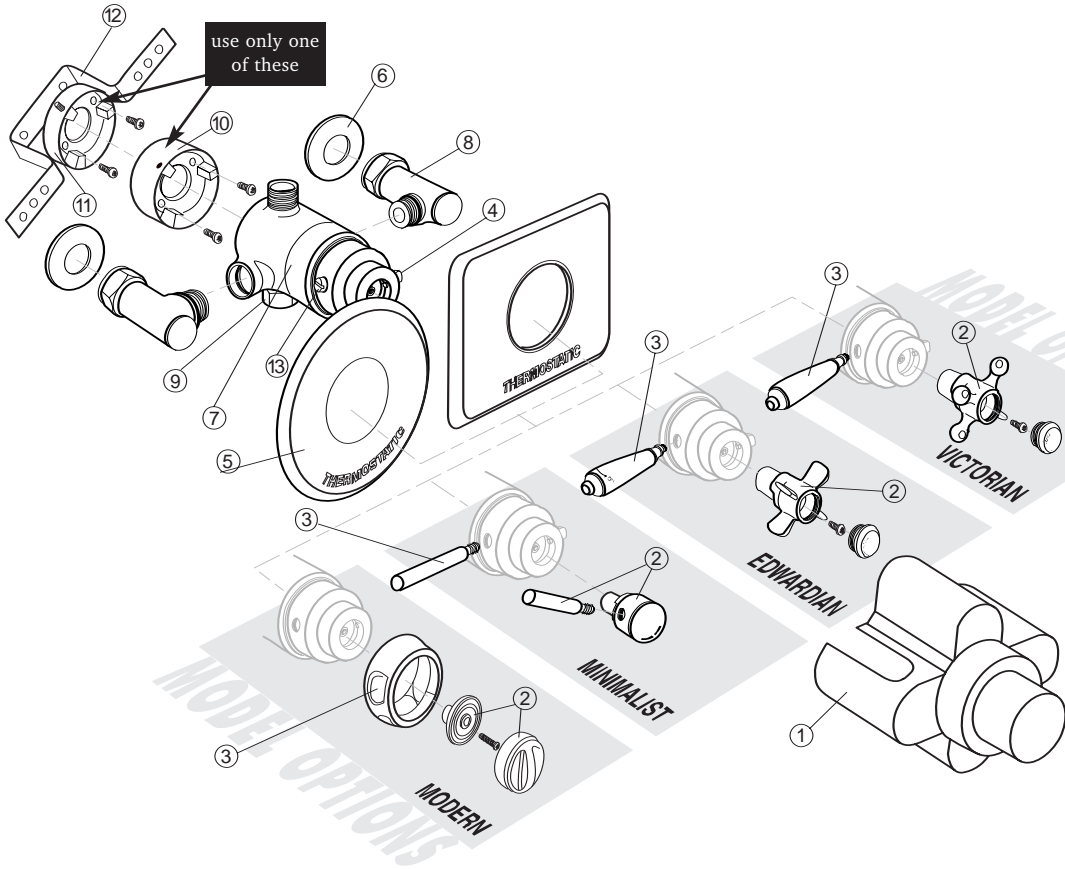
### AFTERCARE

When installing or using tools, extra care must be taken to avoid damaging the finish or the fitting. To maintain the appearance of this fitting, please ensure it is cleaned regularly using a clean soft damp cloth only. Abrasive cleaners or detergents must not be used as they may cause surface deterioration.

## SHOWER VALVE COMPONENT CHECK LIST

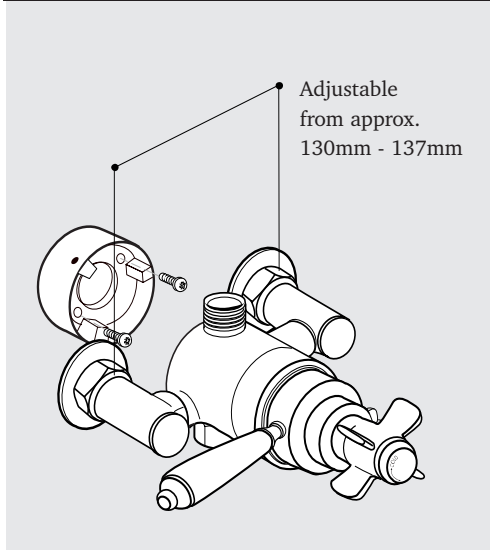
### KEY COMPONENTS

- 1 • Protective Shroud
- 2 • Temperature Knob
- 3 • Flow Control Handle
- 4 • Temperature Override Button
- 5 • Concealing Plate (design may differ depending on choice of model).
- 6 • Cover Plate
- 7 • Valve Body
- 8 • Elbow Assembly
- 9 • Blanking Cap
- 10 • Deep backplate for exposed installation
- 11 • Shallow backplate for concealed installation
- 12 • Wall Mounting Bracket may be required for some concealed installations
- 13 • Drive pin for Modern round handle must be removed for all other options and replaced with lever handle.

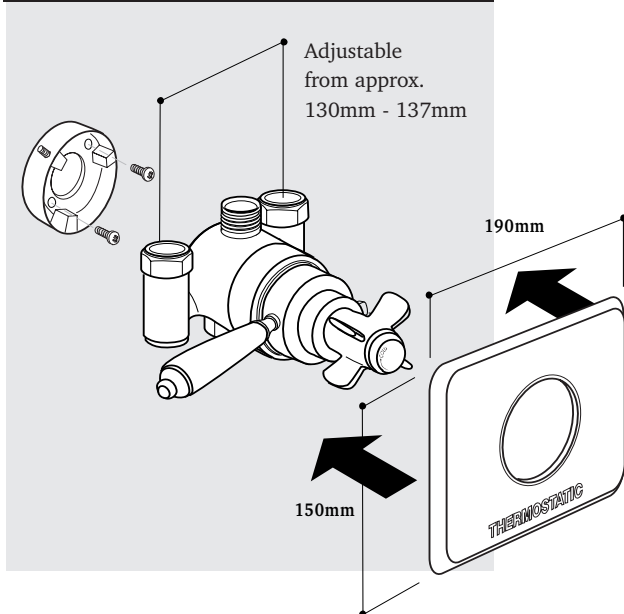


PLEASE NOTE: Handles & concealing plate styles may vary depending on choice of model

### EXPOSED VALVE Dimensions

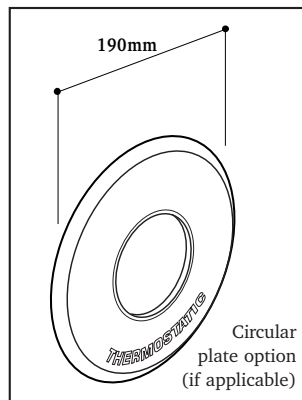


### CONCEALED VALVE Dimensions



### PRE-INSTALLATION NOTES for EXPOSED and CONCEALED VALVES

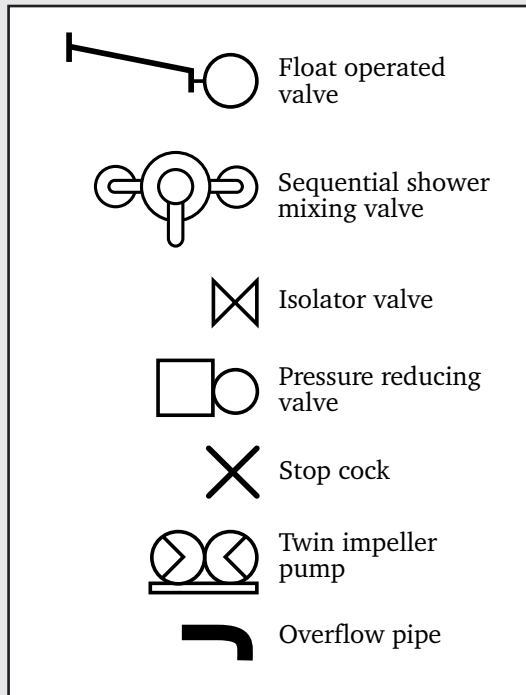
- Identify and check all the parts (**shower control handles and concealing plate styles may differ depending on model**).
- When positioning the shower valve, ensure you have sufficient pressure for an acceptable shower.
- (Concealed Valve Only)  
Fix the shower valve to the shallow fixing backplate and secure to the wall. To assist with the installation you may wish to use the wall mounting brackets supplied. N.B. The wall mounting bracket must be fitted at 45° so that access is available to connect water supplies.
- The hot water feed must **always** be connected to the inlet marked **HOT**.
- In line isolator valves must be fitted for servicing purposes.
- Refer to plumbing diagrams for further installation guidelines.

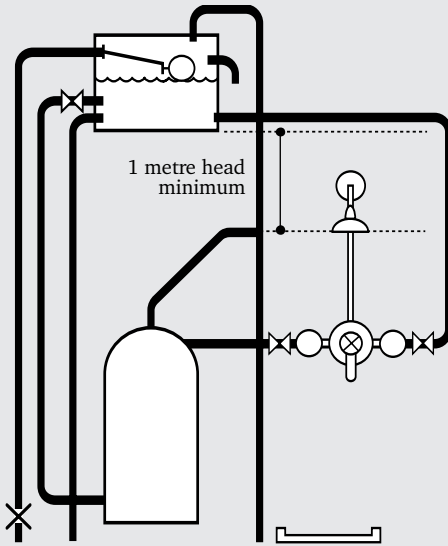


# INSTALLATION NOTES

## ON HOT WATER SYSTEMS

### PLUMBING DIAGRAMS



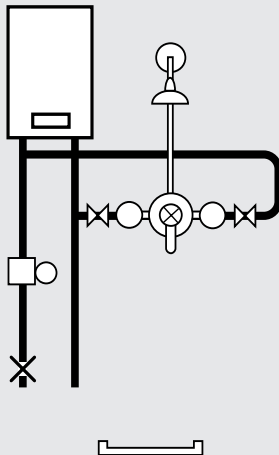


### Gravity Fed Showers

The shower valve **must** be fed from a cold water storage tank and a hot water cylinder. The use of a Surrey or Essex flange connection to the hot water cylinder will ensure an independent supply of hot water to the valve; this action will stop air being drawn into the system.

NB Keep all pipework runs as short as possible for maximum shower performance.

N.B. Wherever possible 22mm pipework should be used.

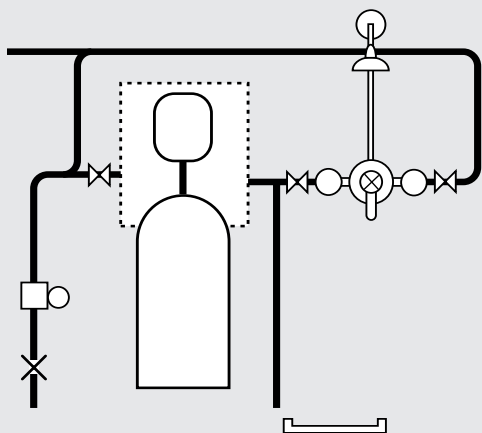


### Gas Heated/Combi-Boiler Showers

The shower valve **must** be installed with a modulating type combi-boiler or multi-point gas water heater. This system will produce a constant flow of water within the operating specifications of the appliance. NB The outlet temperature of the system **must** be capable of supplying hot water **in excess of 60°C**.

A pressure reducing valve may be required to ensure that cold water pressures do not exceed 4 Bar static.

N.B. Wherever possible 22mm pipework should be used.



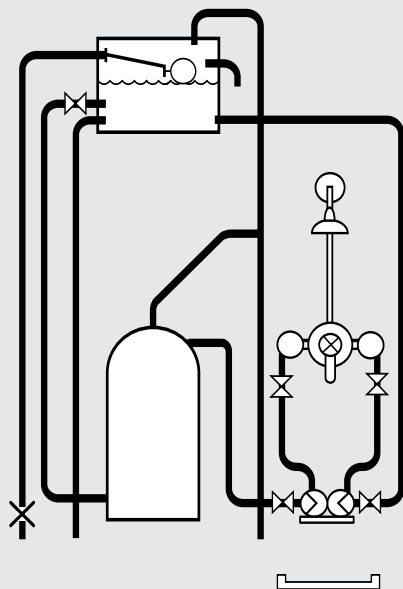
### Unvented Mains Pressure Showers

The shower valve can be used on an unvented mains pressure system. This type of system **must** only be installed by a **competent person as per the requirement of Part G of Schedule 1 to the building regulations.**

For systems with no cold water take off after the heaters pressure reducing valve, an additional pressure reducing valve must be fitted, and set, at the same pressure as the heaters.

The water supply pressure to the shower valve must be between 1 and 4 Bar.

**N.B. Wherever possible 22mm pipework should be used.**



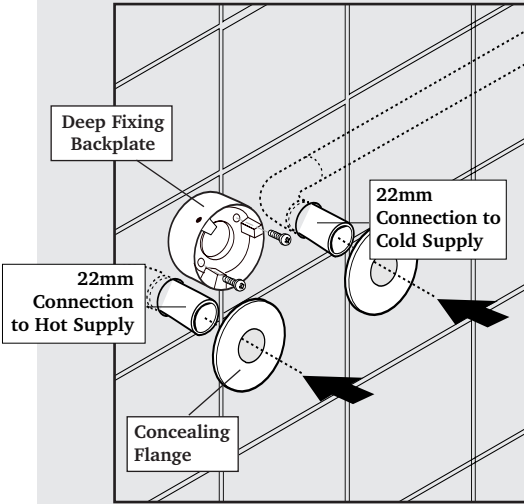
### Pumped Showers

The shower valve can be used on a gravity fed pumped system. The use of a Surrey or Essex flange connection to the hot water cylinder will ensure an independent supply of hot water to the valve; this action will stop air being drawn into the system.

NB Please follow pump manufacturers' instructions relating to the siting and water feed details to the pump. Keep all pipework runs as short as possible for maximum shower performance.

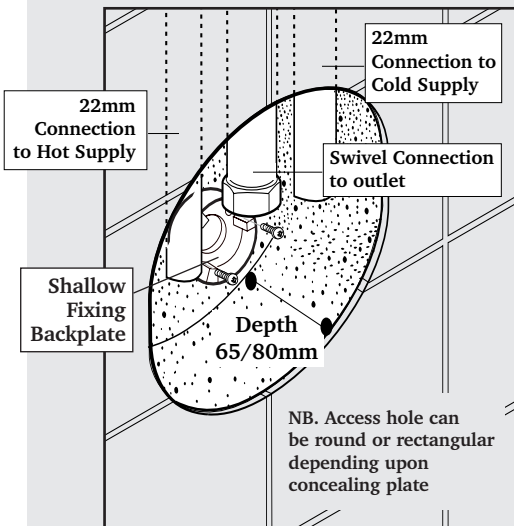
**N.B. Wherever possible 22mm pipework should be used.**

### EXPOSED VALVE Site Preparation



- Ensure hot and cold supply pipe feeds are positioned correctly ready to connect to the shower valve inlet elbows.
- If a rigid riser kit is being used, ensure the valve is positioned correctly to take the height of the vertical pipe.
- Position the deep fixing backplate and secure to the wall by means of two suitable screw fixings.
- Both hot and cold supply feed must be **flushed through** before connection to the shower valve is made. Re Water Supply Byelaw 55.
- To create a waterseal, use a thin line of suitable sealant around the supply pipe feeds and the tiles.
- Fit the concealing flanges over the supply pipes

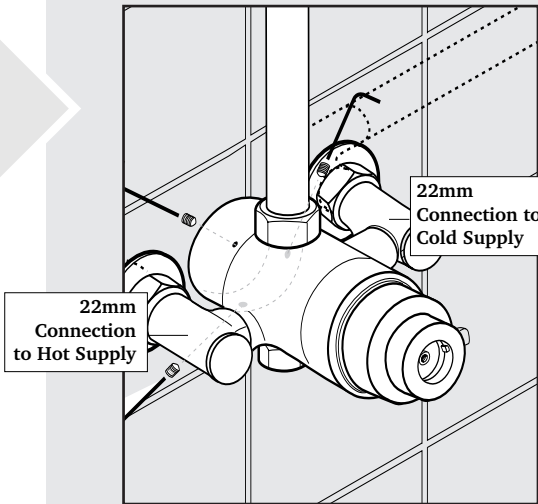
### CONCEALED VALVE Site Preparation



- Make a cavity in the wall to allow the hot and cold water supply connections to be made.
- Position the shallow fixing backplate and secure in the wall cavity by means of suitable screw fixings.
- Both hot and cold supply feed must be flushed through before connection to the shower valve is made. Re Water Supply Byelaw 55.

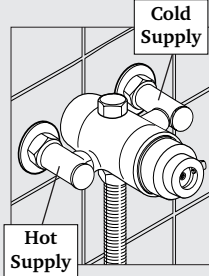


**EXPOSED VALVE** Connect to water supplies



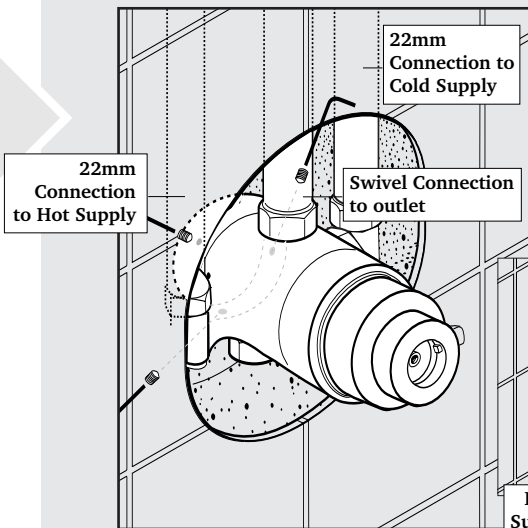
- Connect the hot and cold water supply feeds to the shower valve.
- Fit the shower valve body to the backplate, securing in place with 3 grub screws.
- Make connection to shower outlet.
- Check for any leaks.

See Page 12



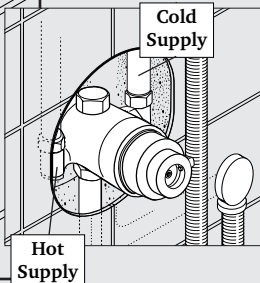
*The Dual Control Thermostatic Shower Valve can be installed with the connection in the downward position. Simply cap off the top outlet using the blanking cap supplied.*

**CONCEALED VALVE** Connect to water supplies



- Connect the hot and cold water supply feeds to the shower valve.
- Fit the shower valve body to the backplate, securing in place with 3 grub screws.
- Make connection to shower outlet,
- Check for any leaks.

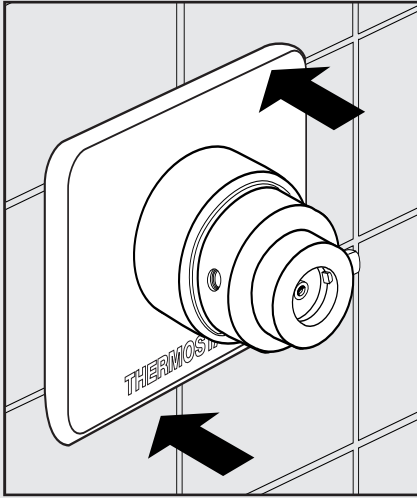
See Page 10



NB Please ensure that the area around the concealed valve is not filled in. Access must be left for servicing purposes.

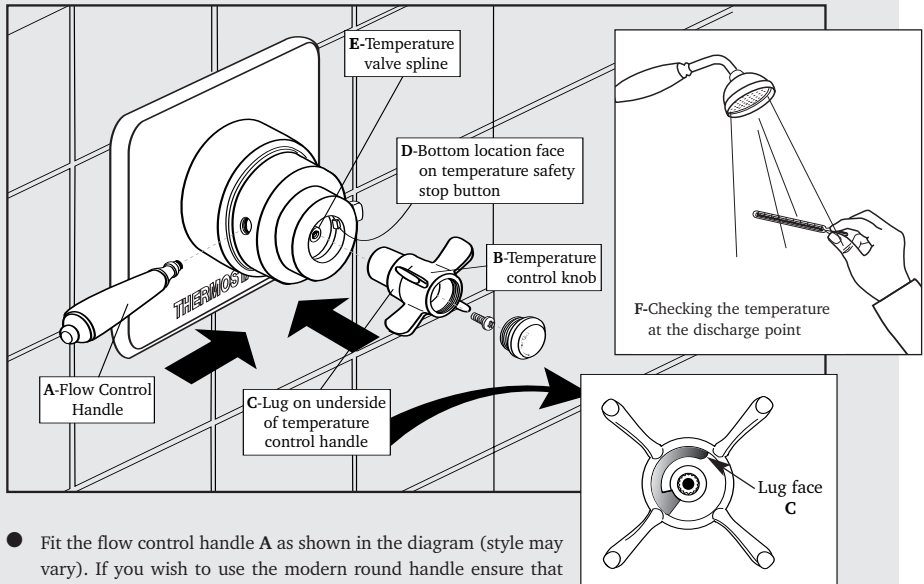
*The Dual Control Thermostatic Shower Valve can be installed with the connection in the downward position. Simply cap off the top outlet using the blanking cap supplied.*

**CONCEALED VALVE** Fit Concealing Plate



- Remove the protective film from the adhesive and push the concealing plate into position. (**style may vary depending on model**).
- To create a complete **waterseal**, use a thin line of suitable sealant between the concealing plate and the wall.

## CONCEALED VALVE Final Assembly & Calibration

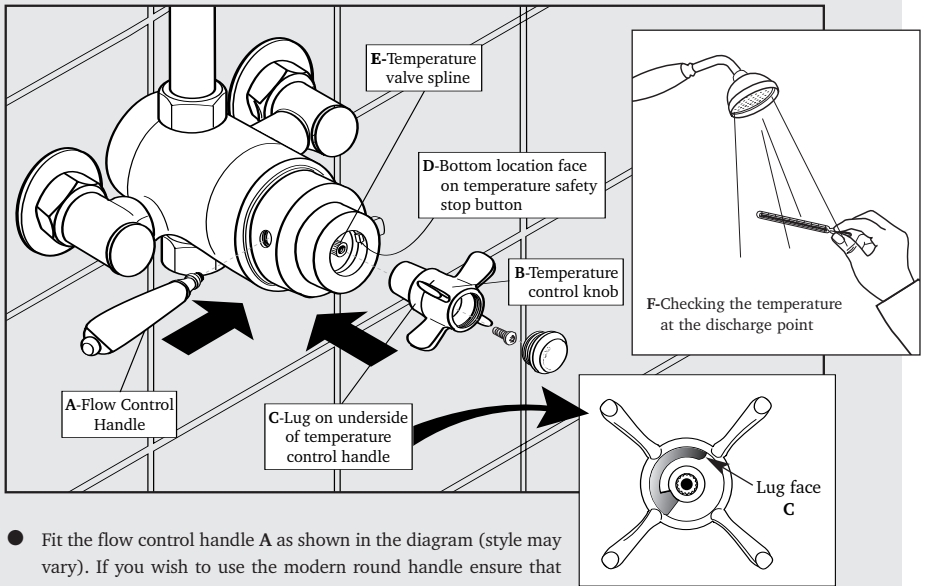


- Fit the flow control handle **A** as shown in the diagram (style may vary). If you wish to use the modern round handle ensure that drive pin 13 is fitted.
- Turn the flow control handle **A** fully anti-clockwise to the maximum flow position and allow water temperature to stabilise. If the temperature is not at 38 degrees, take the temperature control knob **B** in your hand and fit to the temperature valve spline **E** in such a way that the spline is just engaged. This will allow knob **B** to be turned in either direction without lug **C** engaging with temperature safety stop button **D**. Do not let go of knob **B** whilst in this position as it is not secured.
- If water is too hot, turn knob **B** slowly clockwise in small increments until 38 degrees is achieved at the discharge point.
- When temperature has stabilised (after 2/3 minutes) at 38 degrees, remove knob **B** then reposition securely on the temperature valve spline **E** ensuring that the lug face **C** is on the underside of knob **B** locates against the bottom of the temperature safety stop button **D**. Care must be taken at this point to avoid any rotation of knob **B**, as it will affect the newly calibrated temperature. Now fit the screw and secure knob **B** in position.
- If water is too cold, follow the same procedure as above but knob **B** should be slowly turned anti-clockwise to obtain working temperature of 38 degrees at the discharge point.
- This completes the procedure for calibrating the shower valve.

N.B. If after calibration a hotter shower is required, simply depress the Red temperature safety stop button and turn knob **B** anti-clockwise to the desired temperature.

For safety reasons, after showering, please ensure you turn knob **B** clockwise back to a pre-set temperature of below 38 degrees.

**EXPOSED VALVE Final Assembly & Calibration**



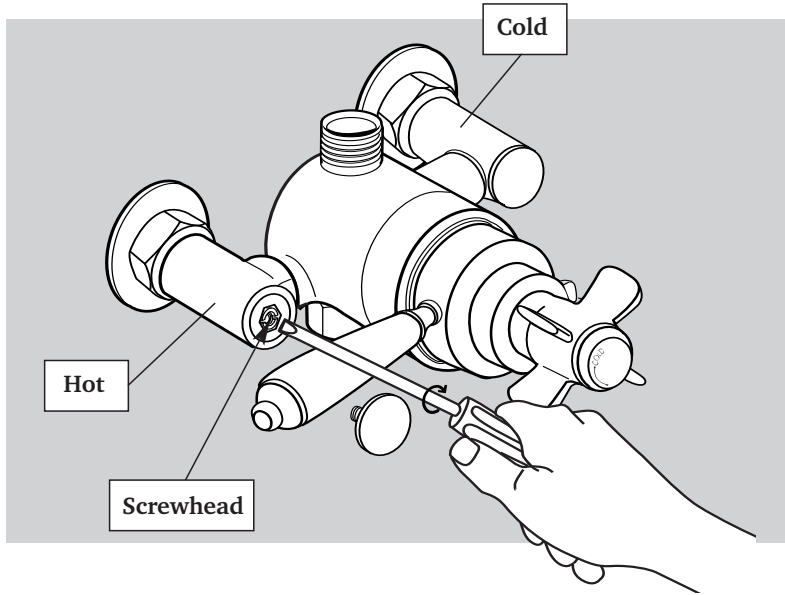
- Fit the flow control handle **A** as shown in the diagram (style may vary). If you wish to use the modern round handle ensure that drive pin 13 is fitted.
- Turn the flow control handle **A** fully anti-clockwise to the maximum flow position and allow water temperature to stabilise. If the temperature is not at 38 degrees, take the temperature control knob **B** in your hand and fit to the temperature valve spline **E** in such a way that the spline is just engaged. This will allow knob **B** to be turned in either direction without lug **C** engaging with temperature safety stop button **D**. Do not let go of knob **B** whilst in this position as it is not secured.
- If water is too hot, turn knob **B** slowly clockwise in small increments until 38 degrees is achieved at the discharge point.
- When temperature has stabilised (after 2/3 minutes) at 38 degrees, remove knob **B** then reposition securely on the temperature valve spline **E** ensuring that the lug face **C** is on the underside of knob **B** locates against the bottom of the temperature safety stop button **D**. Care must be taken at this point to avoid any rotation of knob **B**, as it will affect the newly calibrated temperature. Now fit the screw and secure knob **B** in position.
- If water is too cold, follow the same procedure as above but knob **B** should be slowly turned anti-clockwise to obtain working temperature of 38 degrees at the discharge point.
- This completes the procedure for calibrating the shower valve.

N.B. If after calibration a hotter shower is required, simply depress the Red temperature safety stop button and turn knob **B** anti-clockwise to the desired temperature.

For safety reasons, after showering, please ensure you turn knob **B** clockwise back to a pre-set temperature of below 38 degrees.

## SHOWER INLET ELBOW

### FLOW REGULATION & SERVICING



#### FLOW REGULATION

- The flow of the hot or cold water supply can be reduced as shown in the diagram. This may be useful where there is a problem with temperature stability (see fault finding chart page 16). **DO NOT** tighten as this can damage the check valves.
- By turning the screw clockwise this will reduce the flow.  
N.B. when the screw head is flush with elbow face, maximum flow is obtained.

#### SERVICING

Should you need to replace an internal component of the shower valve, the flow of water should be shut off using the in-line isolator valves, the flow of water can also be shut down as shown in the diagram. **DO NOT** overtighten as this can damage the mechanism.





## FAULT FINDING CHART

GRAVITY or PUMPED SYSTEM	
FAULT	DIAGNOSIS
Showering temperature is not hot enough	<ul style="list-style-type: none"> <li>• Ensure adequate flow of hot water to valve</li> <li>• Ensure hot water supply is at least 60°C</li> <li>• Check for airlocks in pipework</li> <li>• Ensure there are no inverted 'U's in any of the pipework runs</li> <li>• Reduce cold flow using flow regulation (see diagram page 13)</li> <li>• Check calibration</li> </ul>
Water goes cold during shower	<ul style="list-style-type: none"> <li>• Insufficient hot water storage</li> </ul>
When shower is set at cold, the showering temperature is too hot	<ul style="list-style-type: none"> <li>• Hot and cold supply connections have been made in reverse - reconnect correctly</li> <li>• Check calibration</li> </ul>
Shower temperature is too hot (pumped shower)	<ul style="list-style-type: none"> <li>• Turn down the flow of hot water from the pump using the in-line isolator valve</li> <li>• Check calibration</li> </ul>

COMBI or OTHER HIGH PRESSURE SYSTEM	
FAULT	DIAGNOSIS
Showering temperature is not hot enough	<ul style="list-style-type: none"> <li>• Ensure adequate flow of hot water to valve</li> <li>• Ensure hot water supply is at least 60°C</li> <li>• Check for airlocks in pipework</li> <li>• Ensure there are no inverted 'U's in any of the pipework runs</li> <li>• Reduce cold flow using flow regulator (see diagram page 13)</li> <li>• Check calibration</li> </ul>
The water goes cold whilst showering	<ul style="list-style-type: none"> <li>• Ensure the boiler is still firing. Adjust the boiler to the hottest output, not the best flow</li> </ul>

**NB. Any product guarantees will be invalidated if the internal workings of the valve have been tampered with in any way. Please call our helpline if you are having any difficulties.**

**If the Fault Finding chart does not remedy the problem, please contact the helpline immediately.  
Telephone 01282 436934.**